

## Submittal Data Sheet

---

### Features

- Meets NFPA 99 requirements.
- Valves may be piped left to right or right to left.
- All valves are dual gauge port full port ball valves.
- 3 piece in-line repairable valves.
- Adjustable packing with blow-out proof stem design.
- Accommodate up to 8 valves sizes from ½" to 2".
- Valves to have a working pressure of 600 psi (29 in/Hg vacuum).
- All valves cleaned for Oxygen service.
- Plastic insulators to protect from galvanic corrosion.
- Full color coded labeling.
- Provided with 1 ½" diameter gauges.

### Specification

All zone valve boxes shall be the Powerex V series and must be installed and tested in strict accordance with NFPA 99 standards and or any other local codes before use.

Valves – The valves shall be dual gauge port cast bronze, ball-type, with Teflon (TFE) seats and seals. All valves shall be rated at a working pressure of 600 psi (29 in/Hg vacuum) and shall be operated by a lever-type handle, requiring only a quarter turn from a fully open position to a fully closed position. Valves shall incorporate an adjustable packing and a blow- out proof stem. Only full port valves having flow rates comparable to equivalent size of pipe shall be used. Valves shall be able to be piped from left to right or right to left.

All valves shall be provided with type K copper tubing extensions to facilitate installation. Valves shall be 3 piece in-line repairable type. Each valve assembly shall be supplied cleaned for oxygen service in accordance with current CGA standards. The valve tube ends shall be capped and sealed in a protective container to prevent contamination prior to installation.

Gauges shall be 1 ½" diameter for monitoring pressure and vacuum, and shall state: "USE NO OIL". Dual scale gauges are not acceptable for U.S.A. installations.

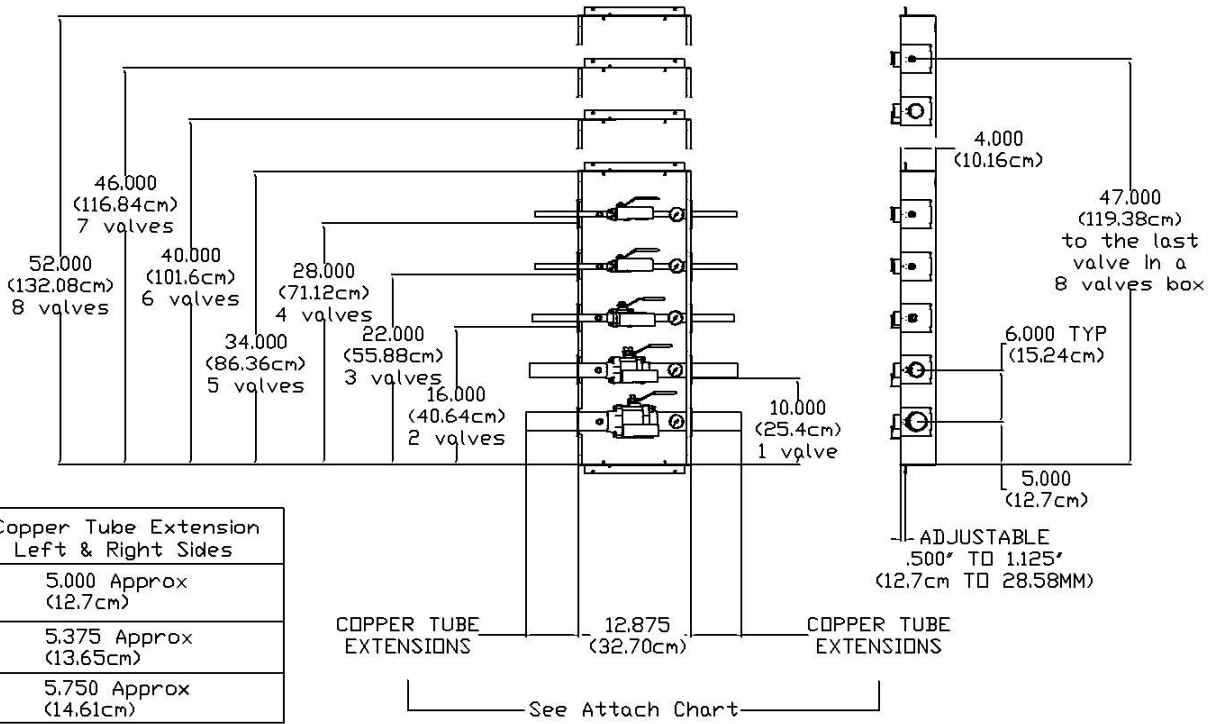
Box – The valve box shall be 18 gauge sheet steel construction painted to prevent rust. A single box shall house from one to eight valves. Box shall be supplied with an adjustable plaster flange ½" to 1 ½" for easy mounting.

Window – Valve box assembly shall be supplied with a formed steel decorative frame painted white which encloses an easily removable flexible window. The window



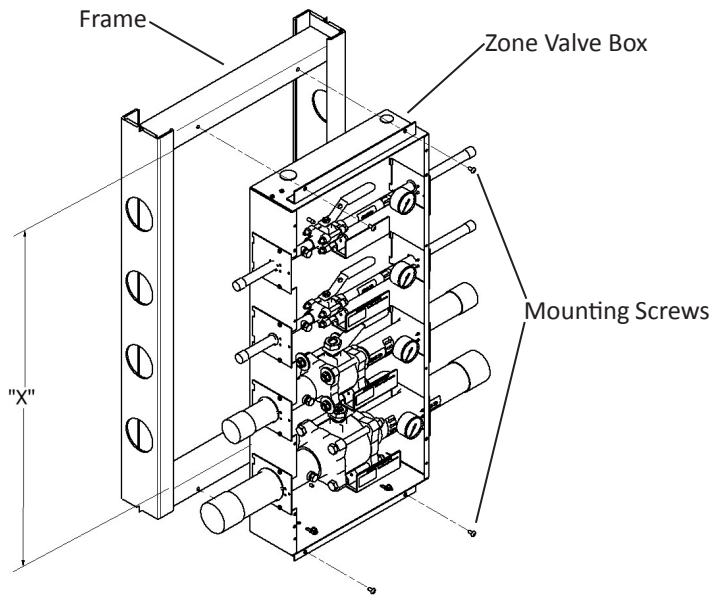
Shown above PX-VU42A2N3O4V 4 valve box with gauges ½" Medical Air, ½" Nitrous Oxide, ¾" Oxygen, 1" Medical Vacuum

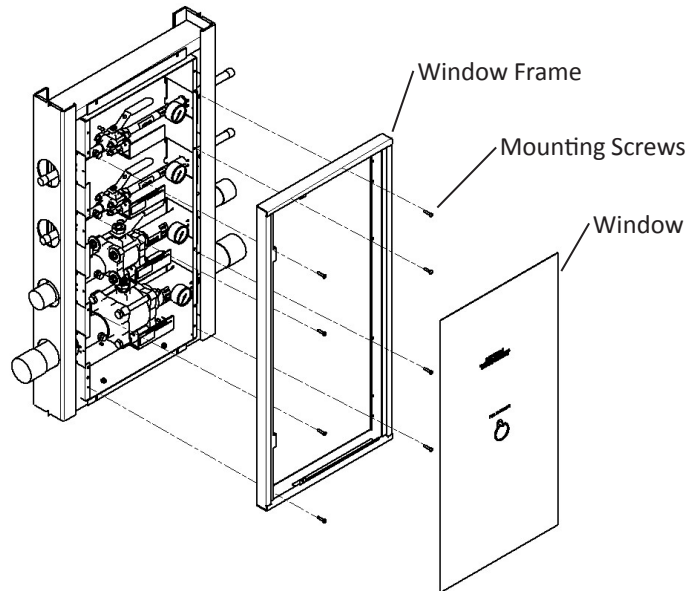
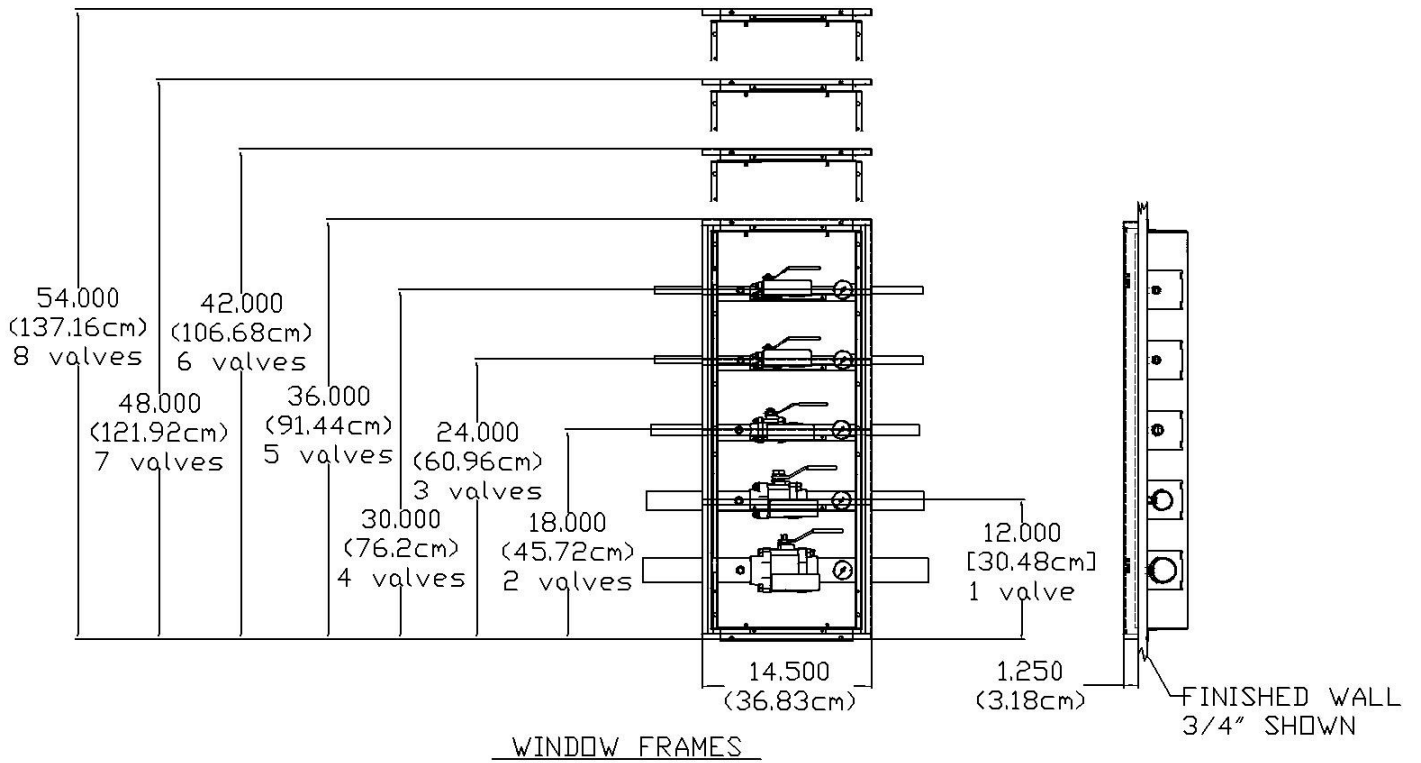
shall be a "smoked" translucent flexible plastic with a pull-out ring pre-mounted to the center of the window. The window shall not be replaceable while any valve is in a closed position. Window shall be silk screened with the following statement "CAUTION: MEDICAL GAS SHUTOFF VALVES. CLOSE ONLY IN EMERGENCY."



Rough Opening Height Dimension for "X"

	IN	CM
1 valve	10.125	25.72
2 valves	16.125	40.96
3 valves	22.125	56.20
4 valves	28.125	71.44
5 valves	34.125	86.68
6 valves	40.125	101.92
7 valves	46.125	117.16
8 valves	52.125	132.40





**Ordering Information**

Easy to use modular ordering system.

Fill in the blanks to specify the Zone Valve Box that meets your needs.

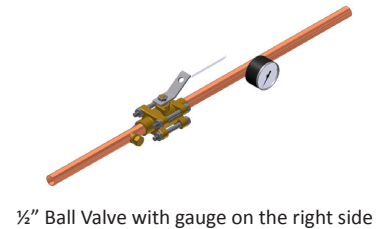
**Model Numbering:**



Repeat 2 character set for each valve

**G = Gas Service**

- |  |                           |
|--|---------------------------|
| <b>A</b> = Medical Air   | <b>L</b> = Helium         |
| <b>B</b> = Blank Slot  | <b>N</b> = Nitrous Oxide  |
| <b>C</b> = Carbon Dioxide 50psi  | <b>O</b> = Oxygen         |
| <b>D</b> = Carbon Dioxide 80psi  | <b>R</b> = Tri-Gas        |
| <b>F</b> = Future Gas Module   | <b>T</b> = Nitrogen       |
| <b>H</b> = Hyperbaric Oxygen   | <b>V</b> = Medical Vacuum |
| <b>I</b> = Instrument Air  | <b>W</b> = WAGD/EVAC      |
| <b>J</b> = CO <sub>2</sub> -O <sub>2</sub> Mixtures<br>CO <sub>2</sub> over 7% DISS 1080 |                           |
| <b>K</b> = He-O <sub>2</sub> Mixtures<br>He over 80% DISS 1080                           |                           |



**S = Size of Valve**

- |                       |                         |                         |                     |
|-----------------------|-------------------------|-------------------------|---------------------|
| <b>2</b> - 1/2" valve | <b>4</b> - 1" valve     | <b>6</b> - 1 1/2" valve | <b>X</b> - No valve |
| <b>3</b> - 3/4" valve | <b>5</b> - 1 1/4" valve | <b>7</b> - 2" valve     |                     |

**N = Number of Valves**

1 through 8

**C = Country**

**U** - USA    **C** - Canada

**V = Valve Box**

**V** - Type of Valve Box

**Part No. Examples**

**PX-VU32A3O5V** = 3 gas valve box and gauges on right side only of all 3 valves with 1/2" Medical Air, 3/4" Oxygen, 1 1/4" Medical Vacuum valves with U.S. labels.

**PX-VU22N3O** = 2 gas valve box and gauges on right side of both valves with 1/2" Nitrous Oxide, 3/4" Oxygen valves with U.S. labels.